

Tumble Forms²[®]

Vestibulator III Instruction Manual:

Tumble Forms III Vestibulator Parts List (5568-05)			
Item #	Description	Qty	Stock Number
1	U-Shaped Base Tube Weldment	1	556805-01
2	Top Tube Weldment	1	556805-02
3	Base Weight Weldment	2	556805-03
4	Attachment Arm Nut	1	556805-04
5	Attachment Arm Washer	1	556805-05
6	Attachment Arm Cotter Pin	1	556805-06
7	Attachment Arm Bearing	1	556805-07
8	Base Nut 3/4" diam. 13 Pitch	1	556805-08
9	Base Lock Washer 3/4 diam.	1	556805-09
10	Base Bolt 3/4" diam. x 4.5"	1	556805-10
11	Attachment Arm Weldment	1	FR2700R2
12	Attachment Arm Adjustment Knob	1	HW3423
13	Attachment Bolt	1	Attachment Bolt
14	Top Tube Padding	1	Top Tube Padding
15	Perimeter Base Padding	1	Base Perimeter Pad
16	Base Floor Padding	1	Bottom Base Pad
17	Vestibulator Rope W/ Ascender*		2772RA
	* Includes height adjuster Vestibulator Ascenders, 30" Therapy Rope (qty: 2) and 2 Oval Carabiners		

NOTICE:

- 1) Please read/follow all instructions carefully before assembling and using this product
- 2) Please consult the advice of a skilled maintenance person in the assembly of this product.
- 3) Please unpack your swing and check to see that you have all the parts necessary for the safe operation of this product

Congratulations on your purchase of your new Tumble Forms Vestibulator III Therapy Swing. Please take the time to familiarize yourself with the use and maintenance of this equipment before using. Please file this instruction manual in an accessible location. The instruction sheet must be read and familiar to anyone who is using this equipment.

MAINTENANCE CHECKLIST:

All of the following wear points should be checked on a monthly basis.

- Check for wear in all components. If found, discontinue use immediately and contact Sammons Preston Rolyan for replacement parts.
- Check that all fasteners are tightened securely. If found to be loose, tighten before further use.

STORAGE PROCEDURES:

- Store out of direct sunlight



Tumble Forms²®

- Store where not accessible by clients without proper supervision

CLEANING INSTRUCTIONS:

- Check with your infectious disease department before following these procedures.
- Check for client allergies first.
- Clean with a damp cloth using soap and water or disinfectant. Dry before using.

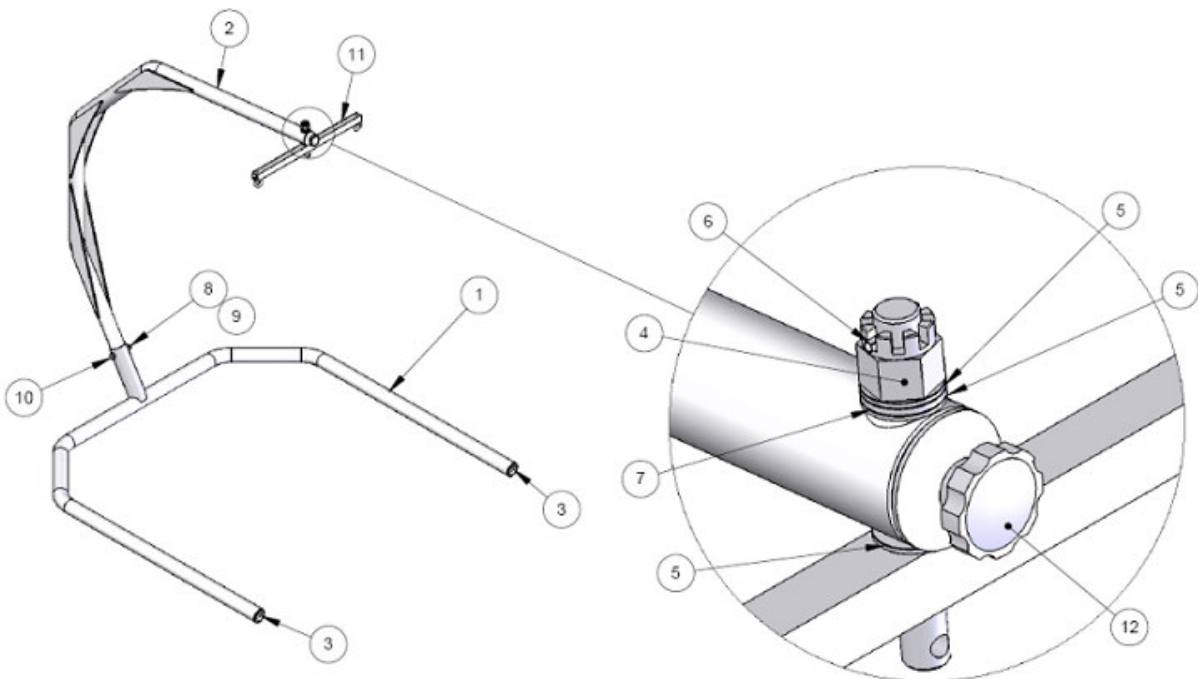
SAFETY PRECAUTIONS

- **ALWAYS USE APPROPRIATE MATTING WITH ALL SUSPENDED EQUIPMENT.**
- **WE SUGGEST THE CLIENT WEAR A SAFETY HELMET.**
- To maximize the safety of your clients, please match the appropriate choice of activity to challenge their physical abilities.
- Always use appropriate spotting and safety techniques.
- In addition, the layout of your activity area, proper installation and maintenance of your equipment is critical. The Vestibulator III is not intended for recreational or outdoor use. Under no condition should this equipment be used without proper supervision.
- It is your responsibility to find all pertinent safety information that pertains to your facility.

ASSEMBLY INSTRUCTIONS:

NOTE: Certain parts of the Vestibulator III are extremely heavy. Be sure adequate assistance is available before attempting assembly!

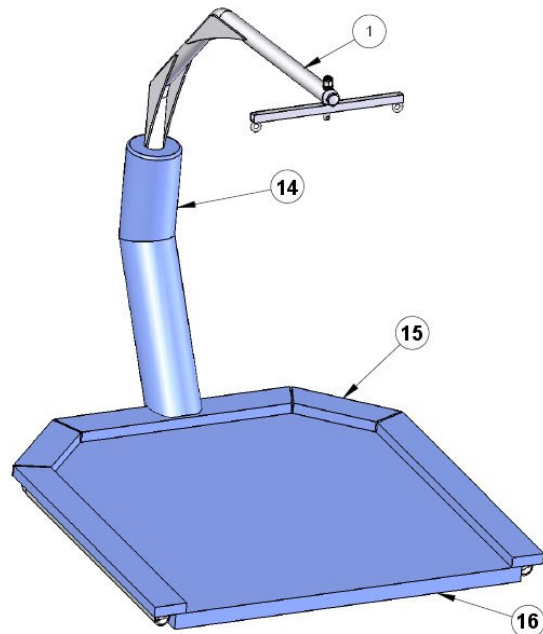
- 1) Utilizing a qualified and competent maintenance person, locate a safe and suitable installation location free of interference and other obstacles. Consult the sizing diagram on the last page of this document.
- 2) Once a suitable installation surface is located, place the top tube weldment (**Item 2**) into the U-Shaped Base Tube Weldment (**Item 1**) and insert and insert the 3/4 bolt (**Item 10**).
- 3) Then install the lock washer and nut (**Items 8 & 9**) and securely tighten the nut.
- 4) Insert the bar weights (**Item 3**) into each leg of the base weldment (**Item 1**).



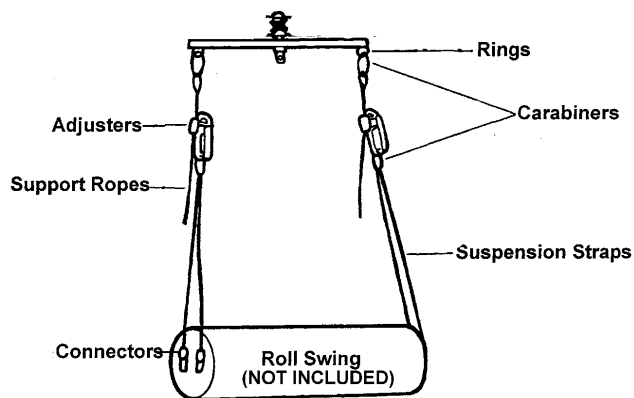
Tumble Forms²

5) After assembling and bolting, install the padding as shown. All padding is secured by Velcro Closures

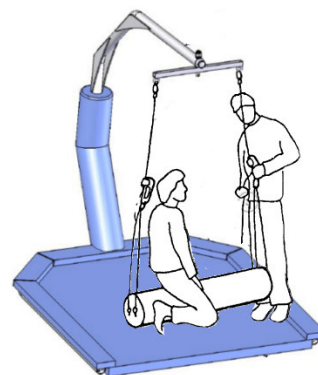
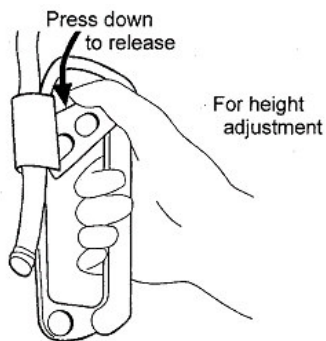
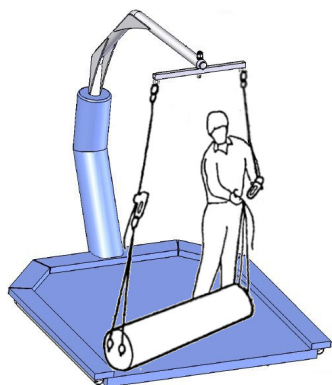
1. Secure Top Tube Padding (**Item 14**) around base weldment and the top tube weldment (**Item 1**).
2. Secure Perimeter Base Padding (**Item 15**) around the individual tubes of the base.
3. Secure Base Floor Padding (**Item 16**) directly on the floor fitting the pad with the base tubes



6) After the frame is fully assembled and in place, attach the desired swing utilizing the following guidelines:



A. With mat in place, attach appropriate swing. B. Adjust height of ascenders C. Adjust Height and Position Client

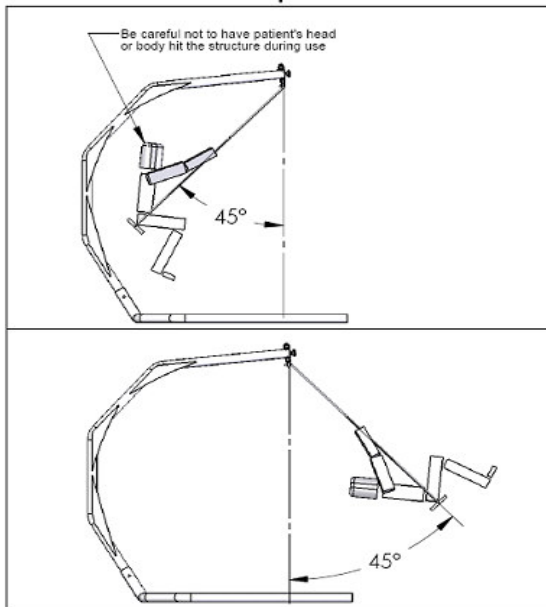


Tumble Forms²

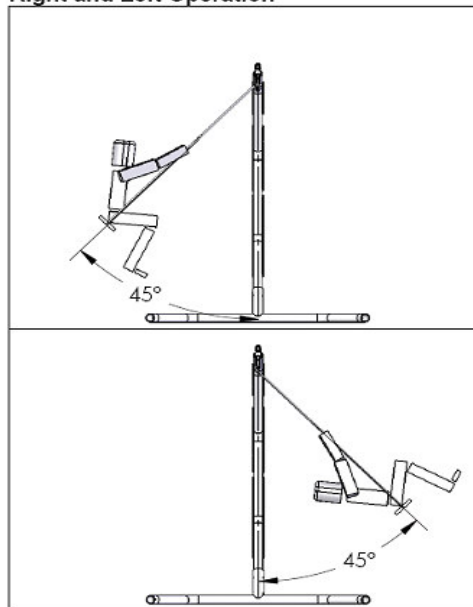
SWING OPERATION

During use the patient should be swung no more than 45 degrees past vertical in either the forward/backwards or right/left directions as shown below. Note, do NOT put a patient weighing more than 300 lb and swing them.

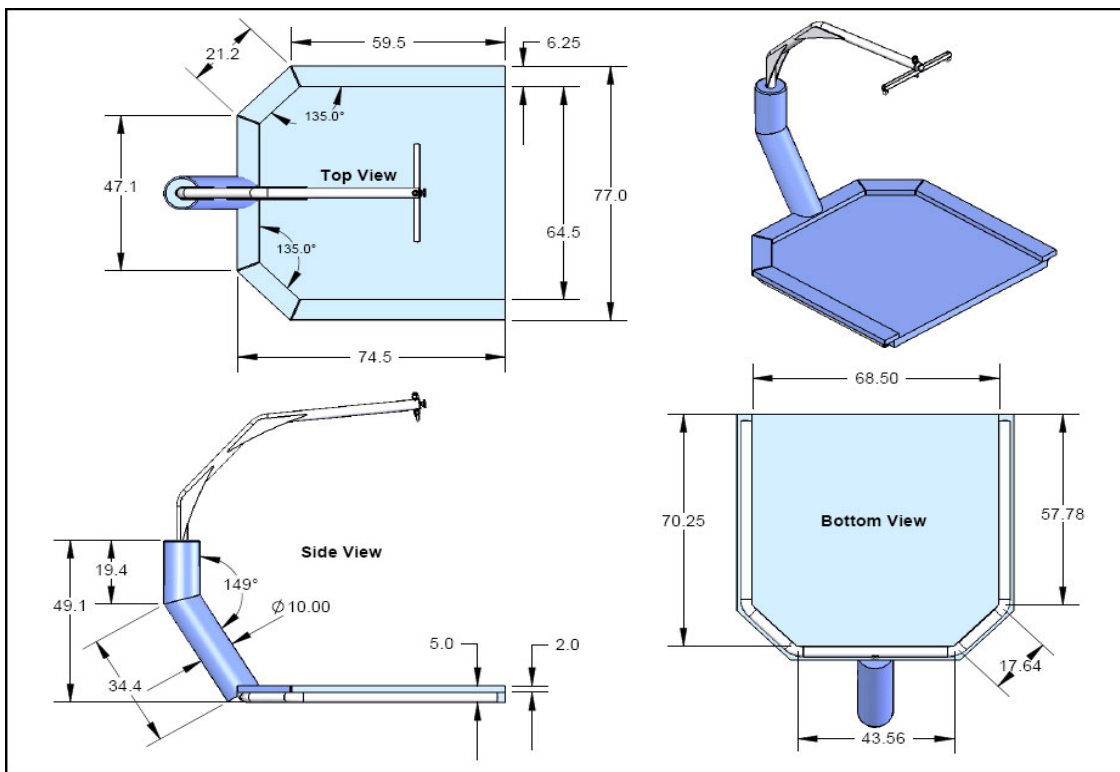
Forward and Backward Operation



Right and Left Operation



Sizing Guide



**SAMMONS
PRESTON**

Rolyan

Sammons Preston Rolyan, An AbilityOne Company 4 Sammons Court, Bolingbrook, IL 60440-4989 Customer Service: (800) 323-5547, E-mail: SPR@AbilityOne.com